

greensIRON 3900

TURF VENTILATOR ATTACHMENT ASSEMBLY KIT

INSTRUCTION BOOKLET



Wood Bay Turf Technologies, 2012

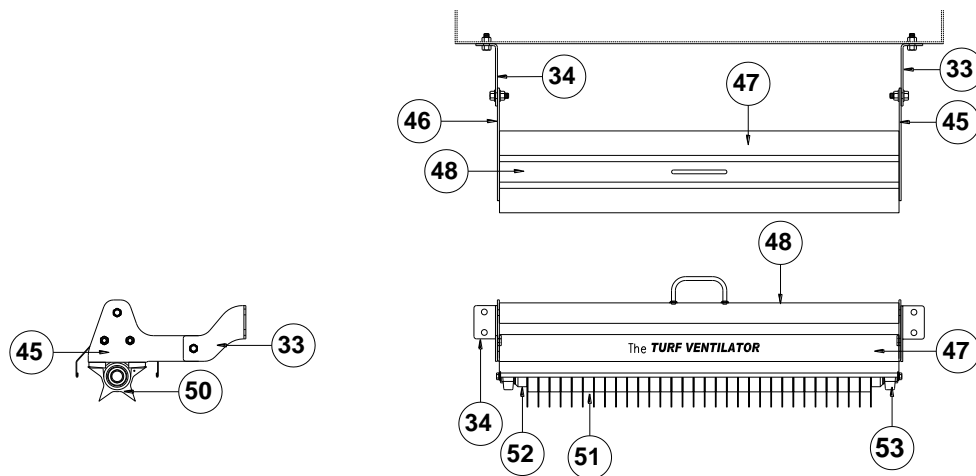
PURPOSE OF THE KIT

The purpose of this *greensIRON 3900, turf VENTILATOR* Kit is to enable owners of our turf rollers to install this option for specific applications. The turf ventilator is used to provide slit aeration for increased water, air and fertilizer penetration into the root zone of your greens.

The *turf VENTILATOR* kit contains all of the parts and fasteners that should be required to install it on any **greensIRON 3900 Turf Roller**. When shipped, the *turf VENTILATOR* accessory is completely assembled and ready to install.

PARTS IDENTIFICATION DIAGRAM

The component numbers used for the *turf VENTILATOR* in this illustration are the same as those used in the *greensIRON 3900* operators' manual for ease of comparison.



33	Support Bracket--Right	1	30	V02	268
34	Support Bracket--Left	1	30	V02	269
45	Ventilator End--Right Hand	1	30	V03	270
46	Ventilator End--Left Hand	1	30	V03	271
47	Ventilator Guard Cover	1	30	V04	273
48	Weight Bar and Handle Assembly	1	30	V05	274
50	Turf Venting Blades (DBOR09)	30	30	V06	276
51	Spacers for Between Blades	29	30	V06	277
52	Spacers, Nylon for Outside Ends	2	30	V06	278
53	Pillow Block Bearing & Housing	2	30	V06	736

WOOD BAY TURF TECHNOLOGIES

greensIRON 3900, turf VENTILATOR Kit

Part Numbers	DETAILED DESCRIPTIONS	QTY
33	30 V02 268 Support Bracket (Right Hand)	1
	30 V02 834 Bolt 1/2 x 1 1/2" NC	2
	30 V02 858 Nut, Nylock 1/ 2" NC	2
	30 V02 867 Washer, Flat 1/2" SAE	10
	30 V02 833 Bolt 1/2 x 1 1/4" NC	4
	30 V02 846 Nut 1/2" NC	4
	30 V02 877 Washer, Lock 1/2"	4
34	30 V02 269 Support Bracket (Left Hand)	1
45	30 V03 560 Ventilator End—Right Hand	1
46	30 V03 561 Ventilator End—Left Hand	1
47	30 V04 273 Ventilator Guard Cover	1
	30 V04 812 Bolt, 3/8" x 1" N.C.	4
	30 V04 843 Nut, 3/8" N.C.	4
	30 V04 863 Washer, Flat 3/8" SAE	4
	30 V04 873 Washer, Lock 3/8"	4
48	30 V05 274 Weight Bar and Handle Assembly	1
	30 V05 832 Bolt 1/2 x 1" NC	2
	30 V05 877 Washer, Lock 1/2"	2
	30 V06 275 Shaft for Ventilator (Hex)	1
50	30 V06 276 Turf Venting Blades (DB0R09)	30
51	30 V06 277 Spacers for Between Blades	29
52	30 V06 278 Spacers, Nylon for Outside Ends	2
53	30 V06 736 Pillow Block Bearing & Housing (2 bolt)	2
	30 V06 814 Bolt 3/8 x 1 1/2" NC	4
	30 V06 843 Nut 3/8" NC	4
	30 V06 863 Washer, Flat 3/8" SAE	8
	30 V06 873 Washer, Lock 3/8"	4

TURF VENTILATOR ASSEMBLY

The *turf VENTILATOR* accessory is fully assembled at the Wood Bay plant. If a *turf VENTILATOR* is being shipped in the crate with a *greensIRON 3900* it is wrapped and packed in with the machine, since a boxed assembly will not fit within the turf roller crate. When shipped separately as an after market add-on a turf ventilator is packed as an assembly in a box.

INSTRUCTIONS FOR MOUNTING THE VENTILATOR

Whether you received your *turf VENTILATOR* in the crate with a new *greensIRON 3900* or as a separate accessory, mounting the unit is straight forward:

- Step 1. Unpack the *turf VENTILATOR* and ensure that all parts and hardware are undamaged. Refer to the above detailed list and the schematic drawing on page 1. If any damage is noted, please call Wood Bay Turf Technologies immediately at 1-800-661-4942 for assistance.
- Step 2. Remove the 1/2" bolts, Nylock nuts and washers that connect the support brackets (items 33 and 34) to the ventilator ends (items 45 and 46). Note the placing of the washers for mounting later.
- Step 3. Bolt the support brackets to the drive roller side of the *greensIRON 3900*. The right hand support bracket goes on the drive chain end, and the left one goes on the pedal end of the deck (see diagram on page 1).

You will now be ready to mount the *turf VENTILATOR* onto your *greensIRON 3900*. Note that if you have also obtained the *turf BROOM* accessory, you will be ready to mount it as well since the support brackets are the same for both units. Only the two connector bolts have to be removed to switch out the turf ventilator and install the turf broom.

The Turf Ventilator Mounting Connection to the *greensIRON 3900*

The pivot point connections of the support brackets to the end brackets have been set up with a 1/2" bolt, three washers and a nylock nut for each side so that the mounting connection can be set as loose or snug as desired for operation on your greens. When the mounting connection is snug, the *turf VENTILATOR* will be restricted from bouncing on any unevenness encountered on a green. Also at a snug setting, when the *turf VENTILATOR* is turned up for regular rolling, or for loading the *greensIRON 3900* onto the trailer, it will hold more firmly in the turned up position.

Operating Suggestions

The following are some suggestions to keep in mind when operating your *greensIRON 3900* with the *turf VENTILATOR*:

- Always check the snugness of the connector setting before starting *turf VENTILATOR* operations on your greens. A more snug connection will help in ensuring that the spikes penetrate as far as possible into the root zone.

- When rolling with the *turf VENTILATOR* on the *greensIRON 3900*, a more uniform result will be obtained by traveling across the green in paths that traverse the full width. However, the operator **must turn** the turf roller to pass around the hole to avoid damaging the cup. This can best be done by leaving the flag in place while ventilating the green.
- Note that during the rolling operation with the *turf VENTILATOR* on the *greensIRON 3900* it should be possible to turn in any direction, or in circles, on greens without causing tearing damage to the turf.
- The *turf VENTILATOR* penetrates greens for slit type aeration to enable enhanced water, air and fertilizer penetration without taking the greens out of play. The amount of aeration can be increased with a second pass, but where this is done it will be best if the travel paths cross over the prior pattern.
- The best results will be achieved using the *greensIRON 3900, turf VENTILATOR* before irrigating the greens.

Comment

We trust that these instructions have enabled you to successfully assemble and install your *greensIRON 3900, turf VENTILATOR* with a minimum of difficulty. If you have any suggestions or wish to comment please call us using any of the numbers below. We appreciate your assistance and thank you for choosing another Wood Bay product.

For further information contact your local distributor, or call Wood Bay Turf Technologies at any of the following numbers: 780.468.4378; 623.466.7921; T.F. 1-800-661-4942 (North America)
Email Wood Bay at info@woodbayturftech.com or fax to 780.468.0059

Cut, Rake & Roll with Wood Bay's Advanced Range of Turf Care and Maintenance Products because Top Turf Care and Maintenance Specialists use Wood Bay Equipment to Set the Stage for Great Performances.